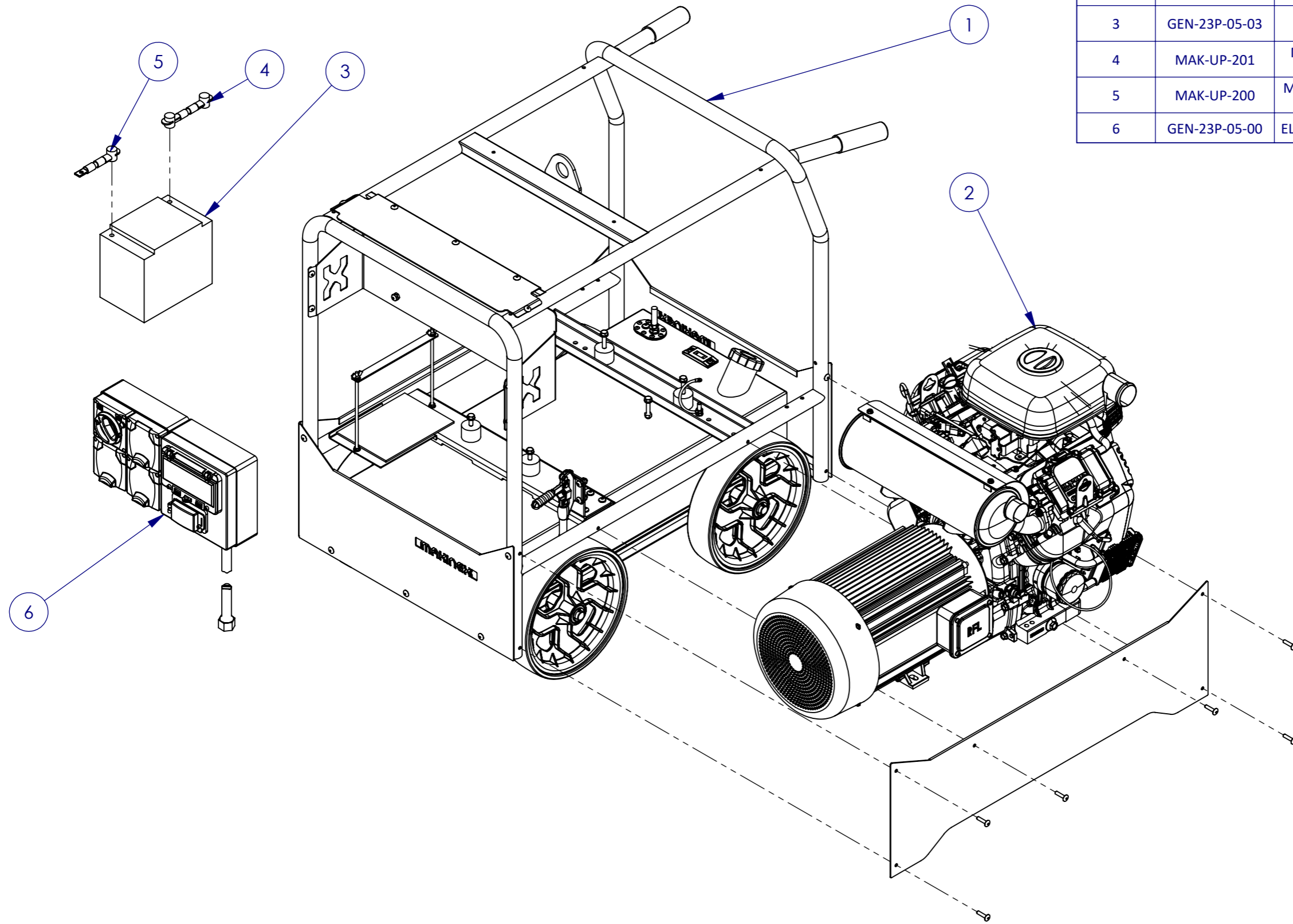


PRINT MAY BE REDUCED - DO NOT SCALE.

ITEM NO.	PART NO.	PART NAME	QTY
1	GEN-23P-01-00	FRAME ASSEMBLY	1
2	GEN-23P-02-00	ENGINE+ALTERNATOR ASSEMBLY	1
3	GEN-23P-05-03	BATTERY 12V36AH	1
4	MAK-UP-201	M8 360 MM 2 B&S RED BATTERY CABLE ASSEMBLY	1
5	MAK-UP-200	M8 300 MM 2 B&S BLACK BATTERY CABLE ASSEMBLY	1
6	GEN-23P-05-00	ELECTRICAL PANEL, 23 kVA, 415, 240, 32 A	1



Sydney (Head Office) Ph: 1300 795 953  
 15 Waltham St Fax: (02) 9439 9815  
 Artarmon, 2064 www.makinex.com.au  
 NSW, Australia sales@makinex.com.au

COPYRIGHT 2019 MAKINEX.  
 WARNING: Copyright in this drawing remains the property of Kennards Innovation and Sustainability and copying in whole or part is not permitted without the written authority of the copyright owner.

GENERAL TOLERANCES  
 (Unless otherwise noted)  
 0-100mm: ± 0.25 mm  
 100mm - 500mm: ± 0.5 mm  
 500mm +: ± 1.0 mm  
 Angular: ± 1 deg.

Third Angle  
 Projection  
 - AS 1100

DATE: 9/16/2022

PROJECT: GEN-23P-AU

SCALE: 1:9 A3

DWG NO.

TITLE

MATERIAL

REV: 002

FINISH

GEN-23P-AU-415


COMPLETE ASSEMBLY

SEE PARTS

DRN: DF

SEE PARTS

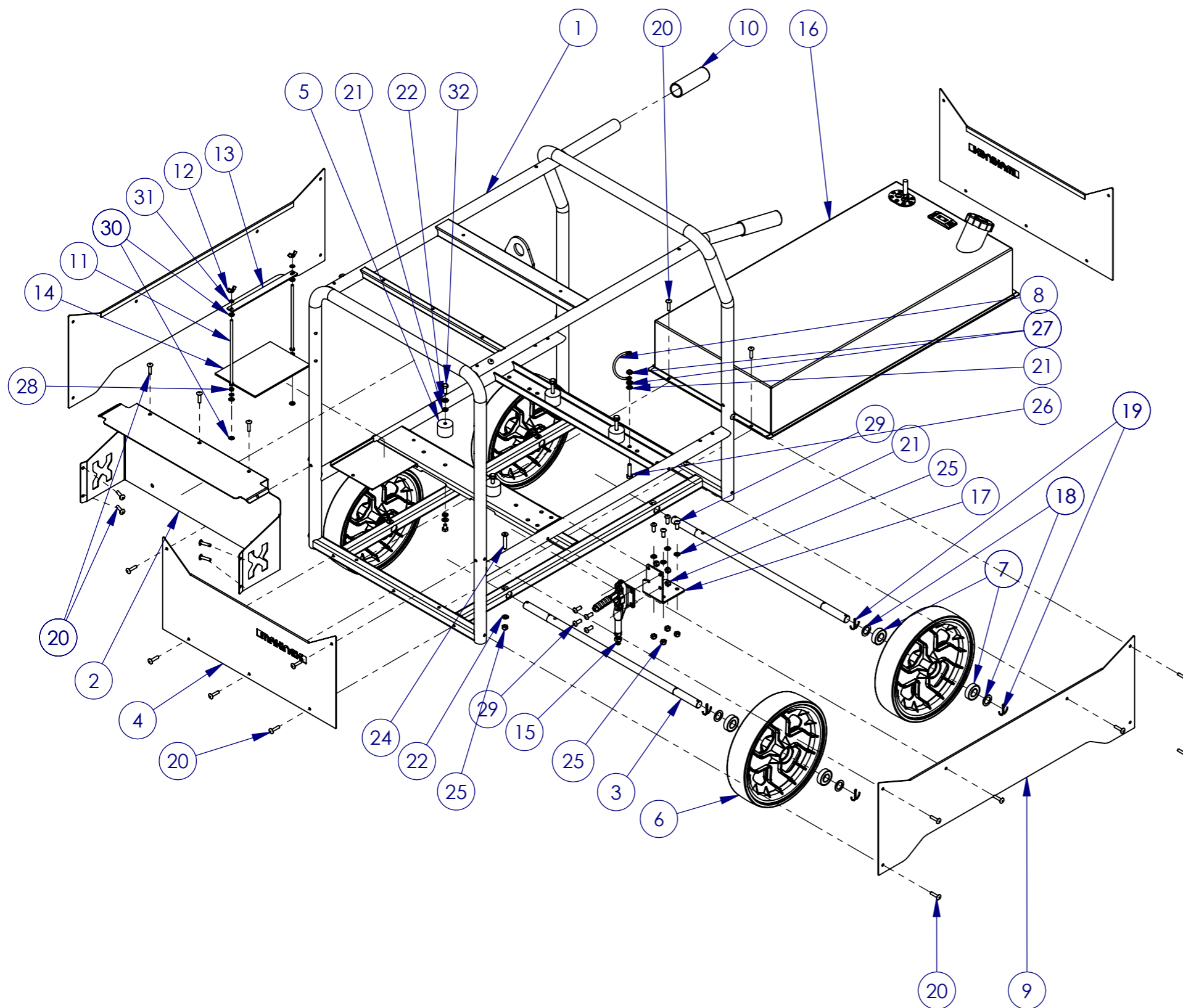
NOTES:

All Dimensions are in Millimetres  
 Break All Sharp Corners and  
 Remove Burrs & Swarf  
  
 Denotes Critical Dimension

SHEET 1 OF 6

PRINTED: 9/16/2022

PRINT MAY BE REDUCED - DO NOT SCALE.



ITEM NO.	PART NO.	PART NAME	QTY.
1	GEN-23P-01-W	FRAME WELDMENT	1
2	GEN-23P-01-20	SWITCHBOX BRACKET	1
3	GEN-23P-03-19	WHEEL AXLE	2
4	GEN-23P-01-23	COVER PANEL	2
5	MAK-UP-25	ENGINE MOUNT (40MM x 30MM 50 SHORE A)	4
6	MAK-UP-116	MAKINEX BIG X-WHEELS	4
7	MAK-UP-01	20MM WHEEL BEARING	8
8	MAK-UP-107	EARTH CABLE 4 MM X 200 MM	1
9	GEN-23P-01-22	SIDE PANEL	2
10	MAK-UP-205	BLACK MATTE HONEYCOMB GRIP 29.97 x 115.57 MM	2
11	GEN-23P-01-28	M6X200 THREADED CUSTOM BOLT	2
12	MAK-UP-508	M6 WING NUT	2
13	GEN-23P-01-24	BATTERY BAR	1
14	GEN-23P-05-03	BATTERY PADDING (200X145X4MM)	1
15	MAK-UP-132	TOGGLE CLAMP	1
16	GEN-23P-03-00	50L FUEL TANK ASSEMBLY	1
17	GEN-23P-01-27	BRAKE BRACKET	1
18	MAK-UP-06	20MM NYLON WASHER	8
19	MAK-UP-566	3MM SPLIT PIN	8
20	MAK-UP-726	6.5 X 12 MM ALUMINIUM RIVET	36
21	MAK-UP-516	M8 SPRING WASHER	14
22	MAK-UP-535	M8 FLAT WASHER (MEDIUM)	12
23	MAK-UP-519	M8X12 HEX BOLT	4
24	MAK-UP-724	M8X45 CSK BOLT ZP	3
25	MAK-UP-511	M8 NYLOC NUT	11
26	MAK-UP-518	M8X35 HEX BOLT Z/P	3
27	MAK-UP-517	M8 HEX NUT	2
28	MAK-UP-507	M6 HEX NUT	2
29	MAK-UP-512	M8X20 BUTTON HEAD SOCKET SCREW	8
30	MAK-UP-551	M6 FLAT WASHER (SMALL)	6
31	MAK-UP-506	M6 SPRING WASHER	4
32	MAK-UP-520	M8X20 HEX BOLT	2



Sydney (Head Office) Ph: 1300 795 953  
 15 Waltham St Fax: (02) 9439 9815  
 Artarmon, 2064 www.makinex.com.au  
 NSW, Australia sales@makinex.com.au

COPYRIGHT 2019 MAKINEX.  
 WARNING: Copyright in this drawing remains the property of Kennards Innovation and Sustainability and copying in whole or part is not permitted without the written authority of the copyright owner.

GENERAL TOLERANCES  
 (Unless otherwise noted)  
 0-100mm: ± 0.25 mm  
 100mm - 500mm: ± 0.5 mm  
 500mm +: ± 1.0 mm  
 Angular: ± 1 deg.

Third Angle Projection  
 - AS 1100

DATE: 9/16/2022

PROJECT: GEN-23P-AU

SCALE: 1:12 A3

DWG NO.

TITLE

MATERIAL

REV: 002

FINISH

GEN-23P-01-00

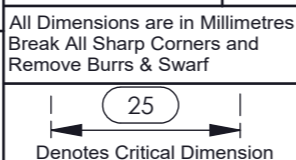
FRAME ASSEMBLY

SEE PARTS

DRN: DF

SEE PARTS

NOTES:

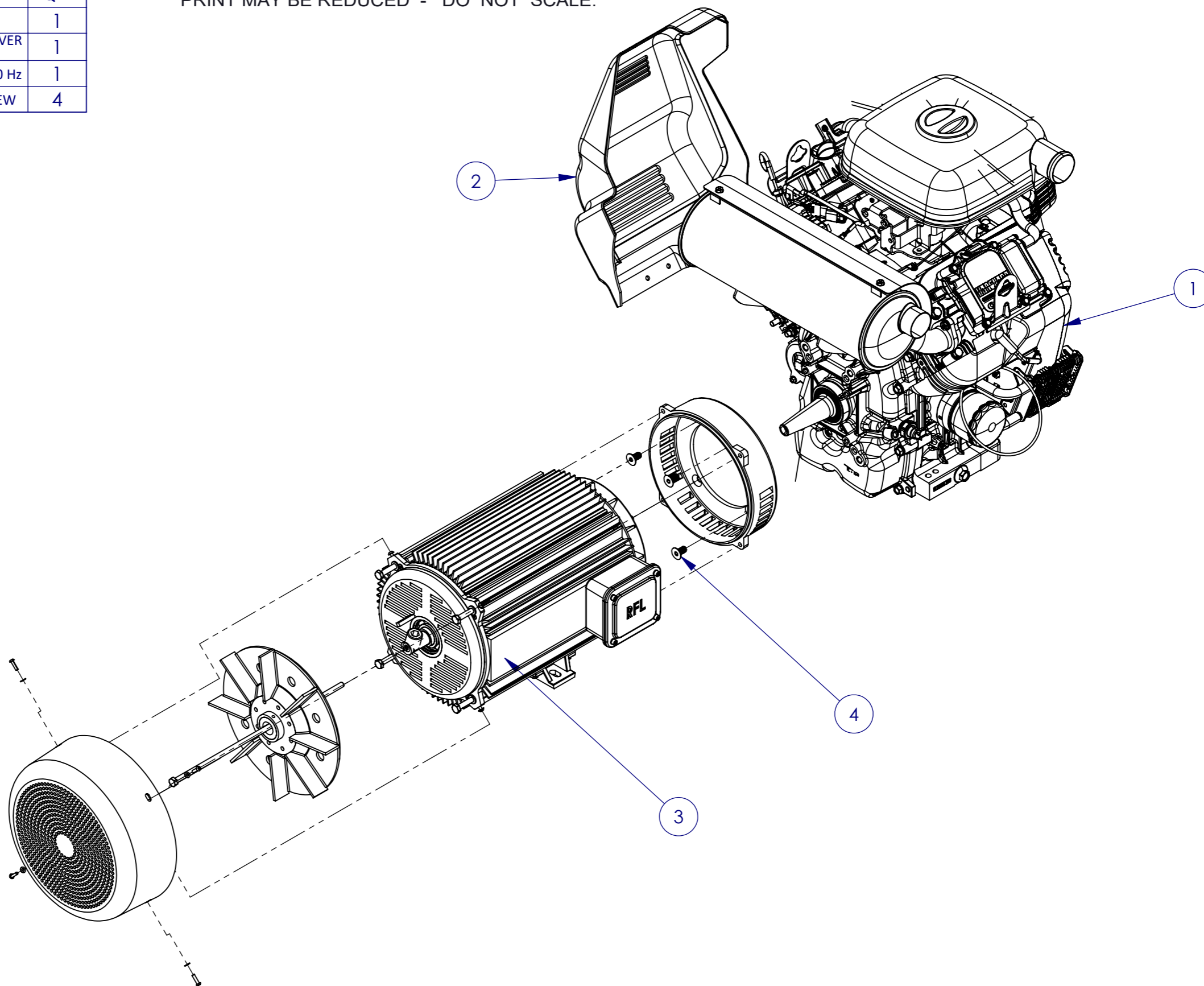


SHEET 2 OF 6

PRINTED: 9/16/2022

ITEM NO.	PART NO.	PART NAME	QTY
1	61E3770157J1	VANGUARD ENGINE 37HP	1
2	848079	VANGUARD EFI 37 ELECTRICAL COVER LARGE	1
3	RF2-27.5-2	ALTERNATOR 23 KW 415 WIND, 50 Hz	1
4	MAK-UP-525	3/8" - 3/4" UNC CSK SOCKET SCREW	4

PRINT MAY BE REDUCED - DO NOT SCALE.



Sydney (Head Office) Ph: 1300 795 953  
 15 Waltham St Fax: (02) 9439 9815  
 Artarmon, 2064 www.makinex.com.au  
 NSW, Australia sales@makinex.com.au

COPYRIGHT 2019 MAKINEX.

WARNING: Copyright in this drawing remains the property of Kennards Innovation and Sustainability and copying in whole or part is not permitted without the written authority of the copyright owner.

GENERAL TOLERANCES  
 (Unless otherwise noted)  
 0-100mm: ± 0.25 mm  
 100mm - 500mm: ± 0.5 mm  
 500mm +: ± 1.0 mm  
 Angular: ± 1 deg.

Third Angle  
 Projection  
 - AS 1100

DATE: 9/16/2022

PROJECT: GEN-23P-AU

SCALE: 1:7 A3

DWG NO.

TITLE

MATERIAL

REV: 002

FINISH

GEN-23P-02-00

ENGINE+ALTERNATOR ASSEMBLY

SEE PARTS

DRN: DF

SEE PARTS

NOTES:

All Dimensions are in Millimetres  
 Break All Sharp Corners and  
 Remove Burrs & Swarf

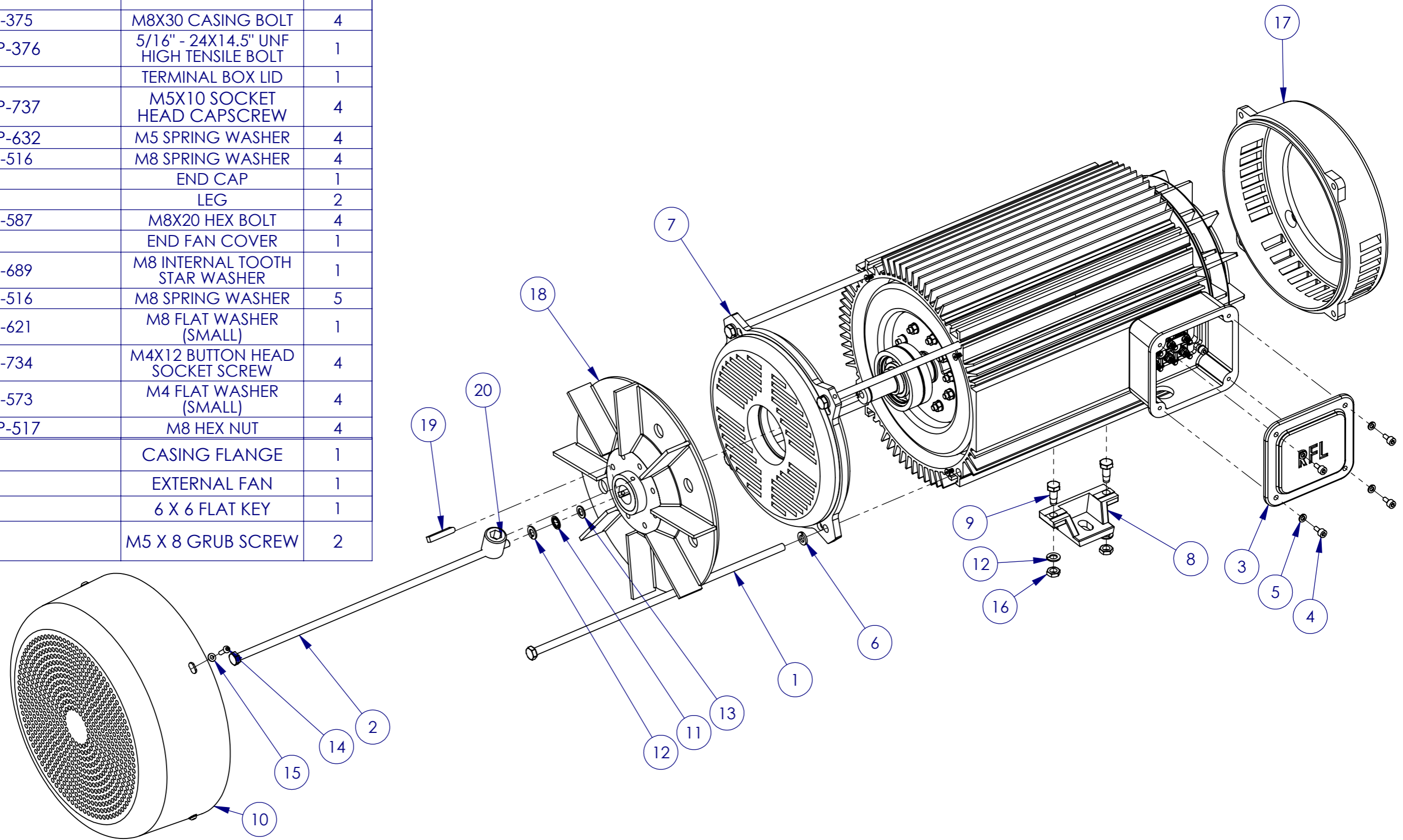
25  
 Denotes Critical Dimension

SHEET 3 OF 6

PRINTED: 9/16/2022

ITEM NO.	PART NO.	PART NAME	QTY.
1	MAK-UP-375	M8X30 CASING BOLT	4
2	MAK-UP-376	5/16" - 24X14.5" UNF HIGH TENSILE BOLT	1
3	RF0013	TERMINAL BOX LID	1
4	MAK-UP-737	M5X10 SOCKET HEAD CAPSCREW	4
5	MAK-UP-632	M5 SPRING WASHER	4
6	MAK-UP-516	M8 SPRING WASHER	4
7	RF0150	END CAP	1
8	RF0014	LEG	2
9	MAK-UP-587	M8X20 HEX BOLT	4
10	RF0217	END FAN COVER	1
11	MAK-UP-689	M8 INTERNAL TOOTH STAR WASHER	1
12	MAK-UP-516	M8 SPRING WASHER	5
13	MAK-UP-621	M8 FLAT WASHER (SMALL)	1
14	MAK-UP-734	M4X12 BUTTON HEAD SOCKET SCREW	4
15	MAK-UP-573	M4 FLAT WASHER (SMALL)	4
16	MAK-UP-517	M8 HEX NUT	4
17	RF0256	CASING FLANGE	1
18	RF0282	EXTERNAL FAN	1
19	RF0283	6 X 6 FLAT KEY	1
20	RF0277	M5 X 8 GRUB SCREW	2

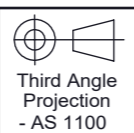
PRINT MAY BE REDUCED - DO NOT SCALE.



Sydney (Head Office) Ph: 1300 795 953  
 15 Waltham St Fax: (02) 9439 9815  
 Artarmon, 2064 www.makinex.com.au  
 NSW, Australia sales@makinex.com.au

COPYRIGHT 2019 MAKINEX.  
 WARNING: Copyright in this drawing remains the property of Kennards Innovation and Sustainability and copying in whole or part is not permitted without the written authority of the copyright owner.

GENERAL TOLERANCES  
 (Unless otherwise noted)  
 0-100mm: ± 0.25 mm  
 100mm - 500mm: ± 0.5 mm  
 500mm +: ± 1.0 mm  
 Angular: ± 1 deg.



DATE: 9/16/2022

PROJECT: GEN-23P-AU

SCALE: 1:4 A3

DWG NO.

TITLE

MATERIAL

REV: 002

FINISH

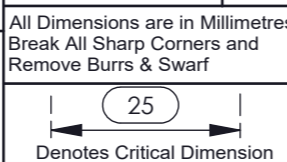
RF2-27.5-2

ALTERNATOR 23 KW 415 WIND, 50 Hz

DRN: DF

SEE PARTS

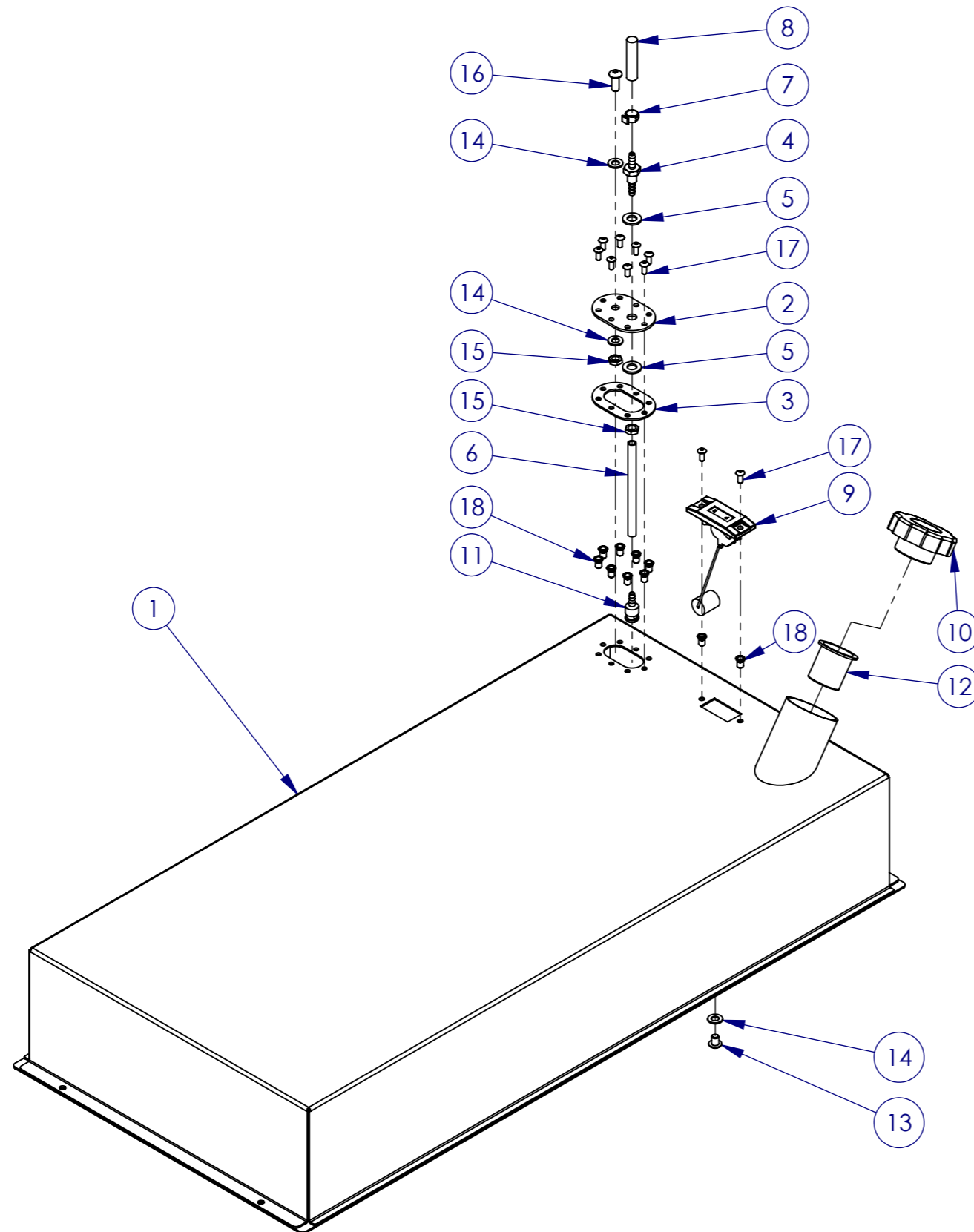
NOTES:



SHEET 4 OF 6

PRINTED: 9/16/2022

PRINT MAY BE REDUCED - DO NOT SCALE.



ITEM NO.	PART NO.	PART NAME	QTY.
1	GEN-23P-03-W	50L FUEL TANK WELDMENT	1
2	GEN-23P-03-07	FUEL COVER	1
3	GEN-16P-05-10	FUEL LINE MOUNTING PLATE GASKET	1
4	GEN-23P-03-13	3/8" THREAD TO 1/4" HOSE BARB	1
5	FROM SUPPLIER	BARB SEAL RING	2
6	GEN-23P-03-15	FUEL PICKUP LINE	1
7	GEN-23P-03-12	1/4" HOSE CLAMP	1
8	GEN-23P-03-06	1_4 INCH HOSE	1
9	GEN-23P-03-09	FUEL GAUGE	1
10	FROM SUPPLIER	FILLER CAP	1
11	FROM SUPPLIER	PICKUP BOTTOM NIPPLE	1
12	FROM SUPPLIER	FUEL STRAINER	1
13	MAK-UP-709	M8X10 BUTTON HEAD SOCKET SCREW	1
14	MAK-UP-535	M8 FLAT WASHER (MEDIUM)	3
15	MAK-UP-517	M8 HEX NUT	2
16	MAK-UP-512	M8X20 BUTTON HEAD SOCKET SCREW	1
17	MAK-UP-609	M5X12 BUTTON HEAD SOCKET SCREW	10
18	MAK-UP-710	M5 NUTSERT	10



Sydney (Head Office) Ph: 1300 795 953  
 15 Waltham St Fax: (02) 9439 9815  
 Artarmon, 2064 www.makinex.com.au  
 NSW, Australia sales@makinex.com.au

COPYRIGHT 2019 MAKINEX.  
 WARNING: Copyright in this drawing remains the property of Kennards Innovation and Sustainability and copying in whole or part is not permitted without the written authority of the copyright owner.

GENERAL TOLERANCES  
 (Unless otherwise noted)  
 0-100mm: ± 0.25 mm  
 100mm - 500mm: ± 0.5 mm  
 500mm +: ± 1.0 mm  
 Angular: ± 1 deg.

Third Angle Projection  
 - AS 1100

DATE: 9/16/2022

SCALE: 1:6 A3

All Dimensions are in Millimetres  
 Break All Sharp Corners and  
 Remove Burrs & Swarf

25  
 Denotes Critical Dimension

PROJECT: GEN-23P-AU

DWG NO.

GEN-23P-03-00

NOTES:

TITLE

50L FUEL TANK ASSEMBLY

MATERIAL

SEE PARTS

DRN: DF

THICKNESS

SEE PARTS

REV: 002

FINISH

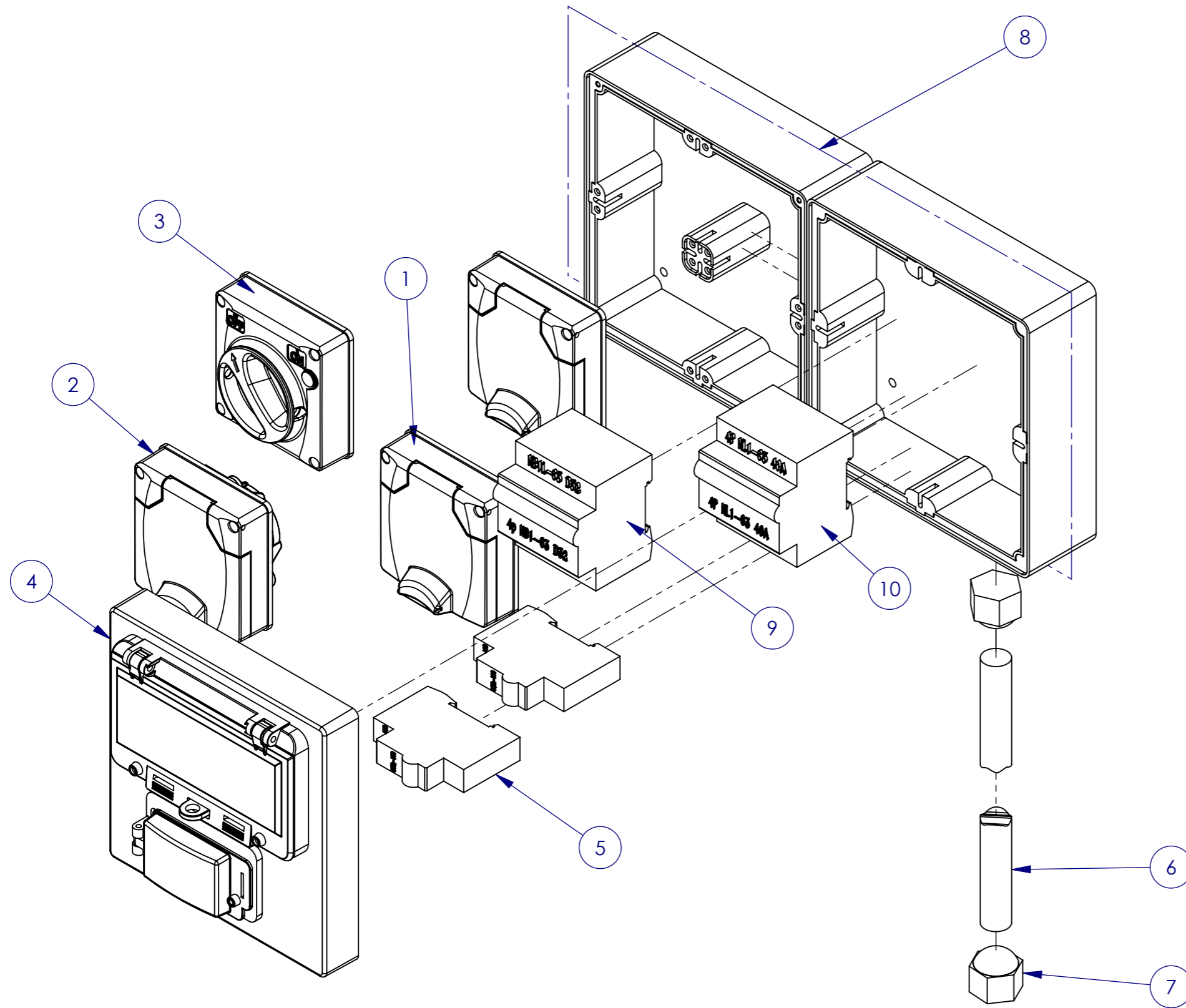
SEE PARTS

SHEET 5 OF 6

PRINTED: 9/16/2022

PRINT MAY BE REDUCED - DO NOT SCALE.

ITEM NO.	PART NO.	PART NAME	QTY
1	GENS-04-07	240V SINGLE PHASE 15 A OUTLET	2
2	GENS-04-08	415V 3-PHASE 5-PIN 32 A OUTLET	1
3	GENS-04-09	ISOLATOR SWITCH	1
4	MAK-UP-212	ENCLOSURE COVER (DOUBLE WINDOW)	1
5	MAK-UP-89	16A RCBO SINGLE PHASE 1 POLE	2
6	MAK-UP-231	CONDUIT 25MM	2
7	MAK-UP-232	STRAIGHT GLAND 30MM	2
8	MAK-UP-212-23	MOUNTING BOX 8MOD 23KVA (400MM X 200MM)	1
9	MAK-UP-213	MCB 4P 32A D CURVE 6KA	1
10	MAK-UP-216	RCD 4P 40A A TYPE 6KA	1



Sydney (Head Office) Ph: 1300 795 953  
 15 Waltham St Fax: (02) 9439 9815  
 Artarmon, 2064 www.makinex.com.au  
 NSW, Australia sales@makinex.com.au

COPYRIGHT 2019 MAKINEX.  
 WARNING: Copyright in this drawing remains the property of Kennards Innovation and Sustainability and copying in whole or part is not permitted without the written authority of the copyright owner.

GENERAL TOLERANCES  
 (Unless otherwise noted)  
 0-100mm: ± 0.25 mm  
 100mm - 500mm: ± 0.5 mm  
 500mm +: ± 1.0 mm  
 Angular: ± 1 deg.



DATE: 9/16/2022

PROJECT: GEN-23P-AU

SCALE: 1:3 A3

DWG NO.

TITLE

MATERIAL

REV: 002

FINISH

GEN-23P-05-00

ELECTRICAL PANEL, 23 kVA, 415, 240 , 32 A

DRN: DM

NOTES:

